

Model H70 Connection Head



- Heavy Duty
- Choice of Materials
 - Stainless Steel
 - Cast Iron
 - Aluminium
- Weatherproof IP68 and IP66
- Choice of Process Entries
- Flameproof - EEx de Certified
- EExe Certified
- EExnA Certified
- Safety Chain

General Description

The Model H70 is a heavy duty IP68 rated connection head which provides environmental protection for the electrical terminals on terminal blocks or temperature transmitters fitted to resistance thermometers or thermocouple insets.

The connection head can be specified as either weatherproof IP68 and IP66 or ATEX Approved Flameproof EEx de IIC T6 when supplied with a suitable Thermocouple Instruments sensor.

The screwed lid is available in two basic configurations, one of which may be provided with a glass window to allow the use of a temperature transmitter with integral loop powered indicator. Versions with extended lids are also available.

Material of Construction

The H70 can be supplied in the following materials:-
 Stainless Steel BS:3100 1976 316 C12/ C16
 Aluminium LM4/ LM25. Aluminium versions are hard anodised to ISO 10074, but may be painted on special request.
 Cast Iron BS:1561 1997 Gr 200/ 220. Cast Iron versions are painted with a high temperature epoxy finish.

Cable Entry

The H70 can be provided with up to 4 cable entries, which may be either ½” NPT, ¾” NPT or M20.

Base Entry

Several options are available including ½” API, ½” NPT and ½” BSP(PI). The H70 head may be fitted with an ‘O’ ring oil seal to guard against oil ingress.

Window Version

The H70 is available with a glass window, to allow use of a temperature transmitter with a loop powered indicator.

Extended Lid

Both forms of the H70 are available with an extended lid, capable of housing two temperature transmitters in ‘piggy-back’ configuration.

IP Rating

The H70 connection head is rated IP68 (40 m immersion) and IP66.



Cast Iron H70 Head, Standard Lid

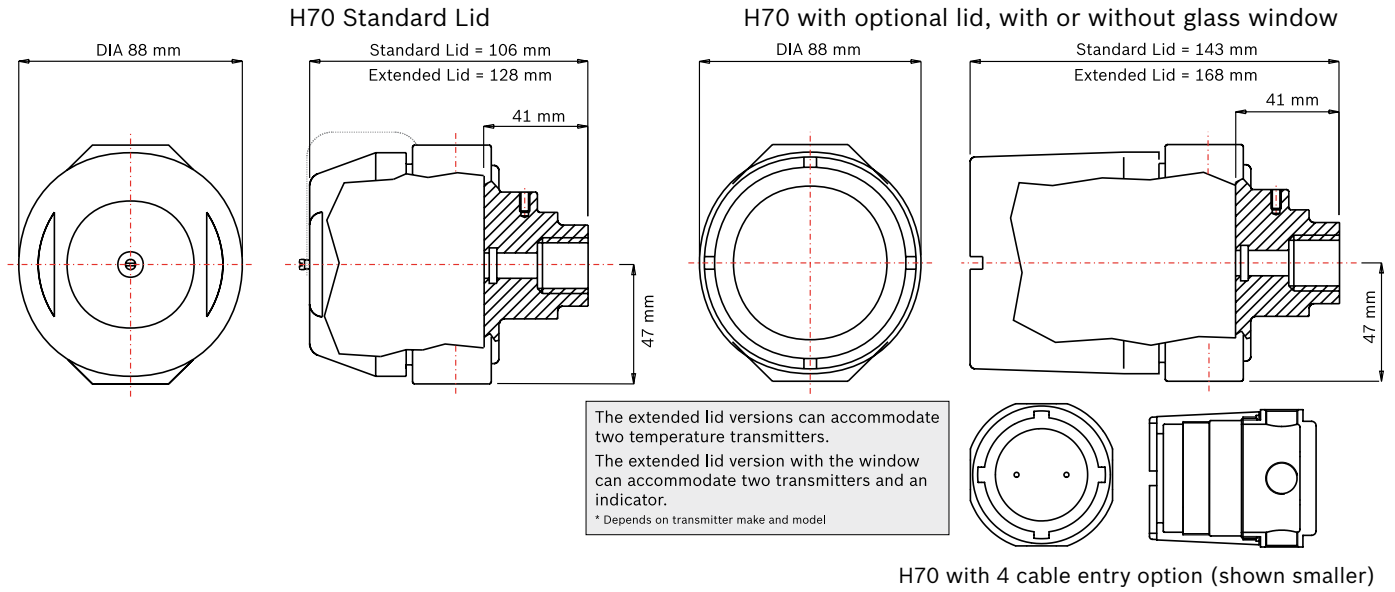
Cast Iron H70 Head, Glass Window

Electrical Classification

The H70 connection head is ATEX approved

- ⊕ II 2 GD EExde IIC T85°C
- ⊕ II 2 GD EExe II T85°C
- ⊕ II 3 GD EExnA IIC T85°C
- ⊕ II 3 GD EExn [L] IIC T85°C

H70 Dimensions



British Rotherm Company Limited
 Kenfig Industrial Estate, Margam, Port Talbot SA13 2PW United Kingdom
Telephone : +44 (0) 1656 740 551 **Facsimile** : +44 (0) 1656 745 915

E-mail : sales@rototherm.co.uk sales@thermocouple.co.uk
Web Site : www.rototherm.co.uk www.thermocouple.co.uk

