

# Model BUZ Connection Head

- General Purpose
- Aluminium Alloy Construction
- Weatherproof IP67
- Range of Process and Cable Entries
- Suitable for Terminal Blocks or Temperature Transmitters

## General Description

Model BUZ is a low cost, general purpose connection head which accommodates either a standard Ryton or ceramic terminal block, or a temperature transmitter. The BUZ is of an aluminium alloy construction, and may be supplied with a variety of process and cable connections.

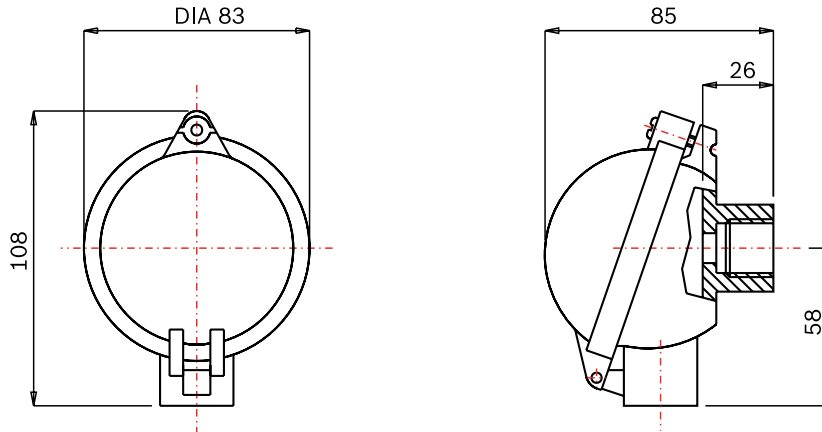
The BUS version is also available with a quick release clamp.



## Technical Specification

Model	Process Entry	Cable Entry	IP Rating	Duty	Material
BUZ	M24 1/2" BSP	M20 PG16	IP67	General Purpose	LM6 Aluminium Alloy with hinged lid

## BUZ Dimensions



All dimensions are in mm. Drawings are for illustration purposes only



**British Rotherm Company Limited**  
 Kenfig Industrial Estate, Margam, Port Talbot SA13 2PW United Kingdom  
**Telephone :** +44 (0) 1656 740 551 **Facsimile :** +44 (0) 1656 745 915

**E-mail :** sales@rototherm.co.uk sales@thermocouple.co.uk  
**Web Site :** www.rototherm.co.uk www.thermocouple.co.uk

